

External-fed Rotary Drum Screen

Description

External Rotary Drum Screens are pre-treatment equipment in the process of waste water treatment plant. Which to remove the solids carried by the water through a filter drum formed by perforated mesh of different size, in order to avoid obstructions and mechanical problems in the plant.

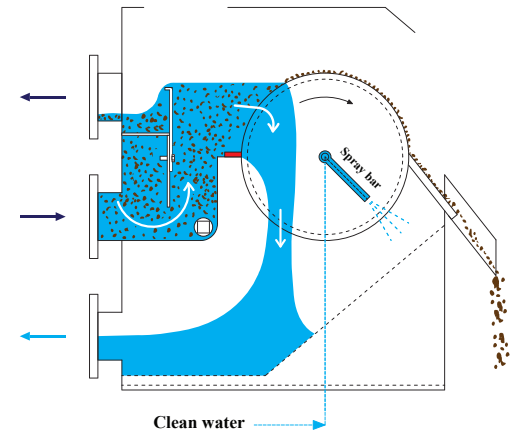
Benefits

- Wedge wire screen slot feed design
- Built-in overflow protection
- Self-cleaning systems and automatic drive operation
- Internal spray bar design
- Wide range of industrial applications
- Low capital and operation cost
- Provide long years and maintenance-free service
- Made by stainless steel SUS304

Model

RS 350 S

Screen Drum length : S (610mm) M (910mm)
 L (1220mm) XL (1830mm)
 Screen Drum Diameter : mm
 Rotary Drum Screen Series



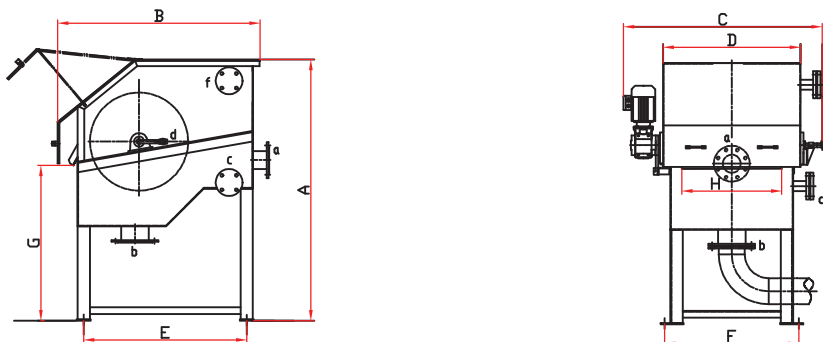
Applications

- Poultry, meat and seafood processing
- Fruit and vegetables processing
- Snack and frozen food processing
- Brewing and wine making processing
- Chemical processing
- Municipal waste treatment plant
- Industrial waste treatment plant
- Tanning industrial processing

Specification

Model	Mesh size (mm) & Capacity (m3/hr)								Power (kw)	Clean system	
	0.25mm	0.5mm	0.75mm	1mm	1.5mm	2mm	2.5mm	3mm		Flowrate(m3/hr)	Pressure(Bar)
RS350S	8	15	20	25	32	60	65	70	0.25	0.5	0.3
RS610S	33	60	81	100	130	140	160	170	0.55	0.5	0.3
RS610M	40	80	110	135	180	210	235	260	0.55	0.8	0.3
RS610L	65	120	162	200	260	285	340	350	0.75	1	0.3
RS610XL	100	180	243	306	397	430	520	600	0.75	2	0.3
RS800XL	175	315	436	535	695	700	780	850	1.1	2	0.3

Dimension



Model	Dimension								Pipe Connection Size				
	A	B	C	D	E	F	G	H	inlet (a)	outlet (b)	drain (c)	wash (d)	overflow (f)
RS350S	1217	735	1007	800	550	682	805	590	DN100/PN10	DN150/PN10	DN50/PN10	G1/2"	-
RS610S	1595	1237	1214	838	995	820	948	610	DN150/PN10	DN200/PN10	DN50/PN10	G1/2"	-
RS610M	1558	1237	1532	1138	995	1120	867	908	DN200/PN10	DN250/PN10	DN50/PN10	G3/4"	-
RS610L	1815	1237	1842	1448	995	1430	1124	1228	DN200/PN10	DN250/PN10	DN50/PN10	G3/4"	-
RS610XL	1915	1237	2453	2058	995	2040	1255	1830	DN250/PN10	DN300/PN10	DN50/PN10	G1"	DN50/PN10
RS800XL	2269	1544	2542	2062	1050	2026	1394	1828	DN300/PN10	DN400/PN10	DN50/PN10	G1"	DN100/PN10