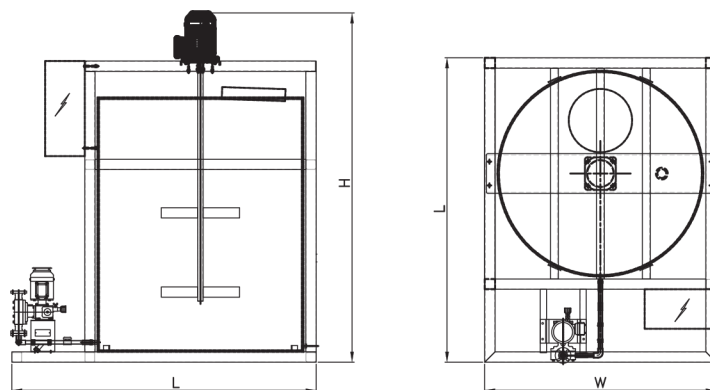


ACCESSORY EQUIPMENT

SJY single tank chemical dosing system

Model	Tank		Mixer		Dosing Pump*		Controller		Dimension		
	Volume (L/tank)	Q'ty	Power (Kw)	Q'ty	Power* (Kw)	Q'ty	Function	Q'ty	Length (mm)	Wide (mm)	High (mm)
SJY 200	200	1	0.4	1	-	1	site control & remote control	1	1226	1016	1273
SJY 500	500	1	0.4	1	-	1		1	1455	995	1578
SJY 1000	1000	1	0.4	1	-	1		1	2298	1232	1984
SJY 1500	1500	1	0.4	1	-	1		1	2502	1436	2091
SJY 2000	2000	1	0.4	1	-	1		1	2582	1516	2203

* Depent to request



DJY double tank chemical dosing system

Model	Tank		Mixer		Dosing Pump*		Controller		Dimension		
	Volume (L/tank)	Q'ty	Power (Kw)	Q'ty	Power* (Kw)	Q'ty	Function	Q'ty	Length (mm)	Wide (mm)	High (mm)
DJY 500	500	2	0.4	2	-	1	site control & remote control	1	1723	2351	2803
DJY 1000	1000	2	0.4	2	-	1		1	1904	2927	3598
DJY 1500	1500	2	0.4	2	-	1		1	2108	3113	3814
DJY 2000	2000	2	0.4	2	-	1		1	2188	3294	4039

* Depent to request

