

Self-Priming Jet Pump

JET(GM) Series

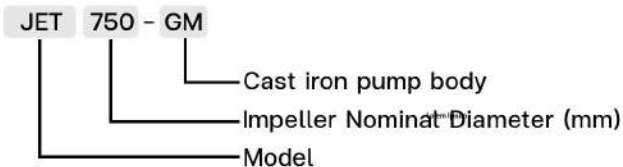
- Long-distance water transfer or high-level water transfer.
- Suitable for Agriculture irrigation , Household & Domestic application



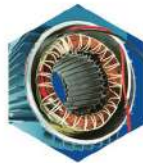
Application

- Diffuser helps pressure boosting
- Pump casing made with high-quality materials, strong, durable with flange design and threaded design
- Low noise operation and constant water pressure.
- Bearings are water and dustproof.
- Built-in cooling fan extent motor' s lifespan.
- Compact design, small size, easy installation and easy to maintenances.
- Ground wire for best protection

Model information



Feature



Genuine Copper coil with Thermal Overload Protection



Brass impeller : closed impeller , no rust, Provides high water flow and high water pressure .



Rotor made of AISI304 corrosion resistant



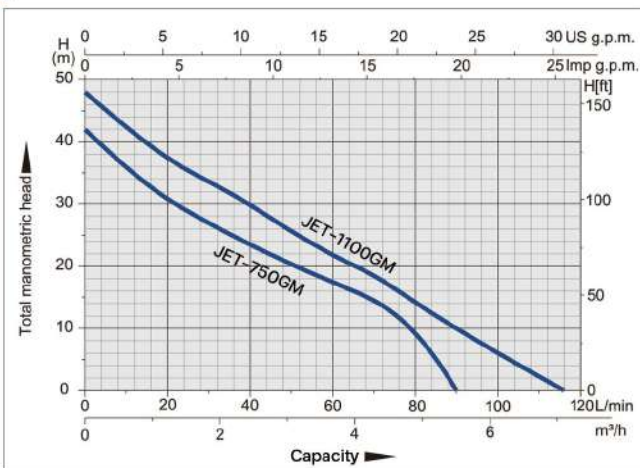
Mechanical seal Ceramic-Carbon, Prevents leakage, capable of withstanding pressure, heat-resistant.

Model analysis



NO.	Component	NO.	Component	NO.	Component	NO.	Component
1	Screw	8	Mechanical seal	15	Bearing	22	Phillips screw
2	Pump body	9	O-Ring	16	Rotor	23	Arm-brace
3	Nozzle	10	Pump cover	17	Wave washer	24	Capacitor
4	Tube	11	Connector	18	Stator	25	Wave washer
5	Diffuser	12	Handle switch	19	Black three-piece unit	26	Fan
6	Nut	13	Handle	20	Pump base	27	Fan cover
7	Impeller	14	Hexagonal head bolt	21	Junction box	28	Phillips screw

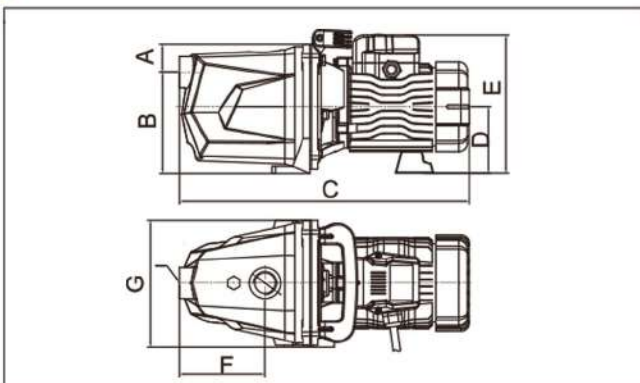
Performance curves



Specifications

Model	JET-750GM	JET-1100GM
Power (W)	750 (1HP)	1100 (1.5HP)
Cycle (Hz)	50	50
Voltage (V)	220-230	220-230
Amp (A)	5.2	7.3
Max Head (M)	42	48
Max Distance (M)	420	480
Max Flow rate (LPM)	85	116
Max suction (M)	8	8
Inlet (in.)	1	1¼
Outlet (in.)	1	1
N.W. (kg)	13.5	23
G.W. (kg)	14	24
Packaging size (mm)	460*200*230	570*230*290

Installation method and size



Model	A (mm)	B (mm)	C (mm)	D (mm)	E (mm)	F (mm)	G (mm)
JET750GM	32.5	152.5	415	96	119	132	180
JET1100GM	34.5	167	434	112	232	161	206

Executive agent :