

Stainless steel Electronic Auto Jet Pump A3-800Y Series

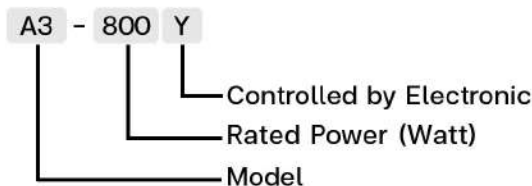
- Controlled by electronic, Constant water pressure, pump head and stainless steel impeller.
- Suitable for RO water system and Foodgrade.
- Pressure boosting or supporting equipment and water sprinkler system.



Application

- Stainless impeller, pump body and shaft, No rust
- Ejector for increase water pressure.
- maximum delivery distance 50 meters.
- Low noise operation constant, water pressure.
- Power 800 watt, 3,000 RPM.
- Motor with copper winding.
- The casting fan blades behind the motor.
- Ground wire for best protection.

Model information



Feature



Pump casing made from stainless steel, no corrosion.



Flow switch run dry protection.



Stainless impeller : closed impeller, no rust, Provides high water flow and high water pressure.

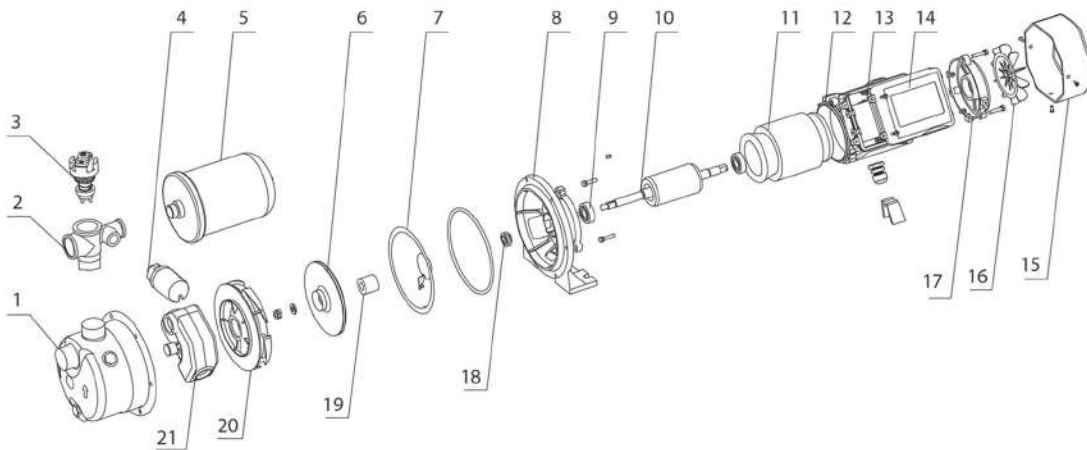


Controlled by electronic, high efficiency.



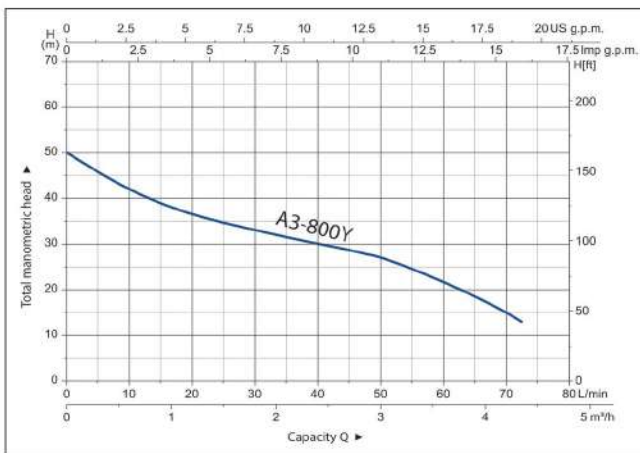
Genuine Copper coil with Thermal Overload Protection.

Model analysis



NO.	Component	NO.	Component	NO.	Component
1	Pump body	8	Connector	15	Junction box cover
2	Outlet connector	9	Rotor	16	Junction box seal
3	Flow switch	10	Stator	17	Gasket
4	Pressure switch	11	Base	18	Bearing
5	Pressure tank	12	End cover	19	Mechanical seal
6	Impeller	13	Fan cover	20	Guide vane
7	Pump cover	14	Fan	21	Injector

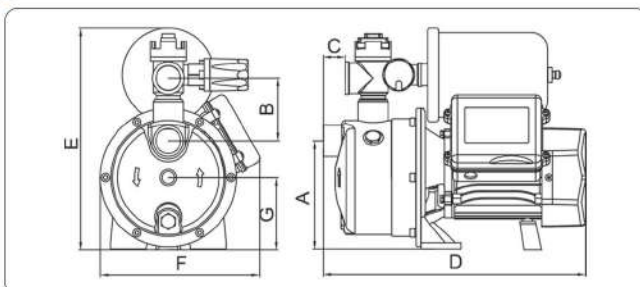
Performance curve



Specifications

Model	A3-800Y
Power (W)	800 (1HP)
Cycle (Hz)	50
Voltage (V)	220
Amp (A)	5.4
Max Head (M)	50
Max Flow rate (LPM)	73
Max suction (M)	9
Inlet (in.)	1
Outlet (in.)	1
N.W. (kg)	11.2
Packaging size (mm)	395*250*330

Installation method and size



Model	A (mm)	B (mm)	C (mm)	D (mm)	E (mm)	F (mm)	G (mm)
A3-800Y	145	79	35	348	281.5	220	95

Executive agent :